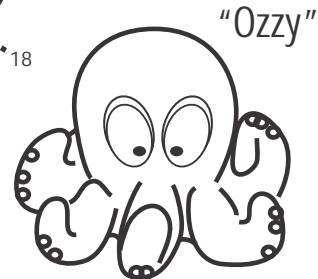
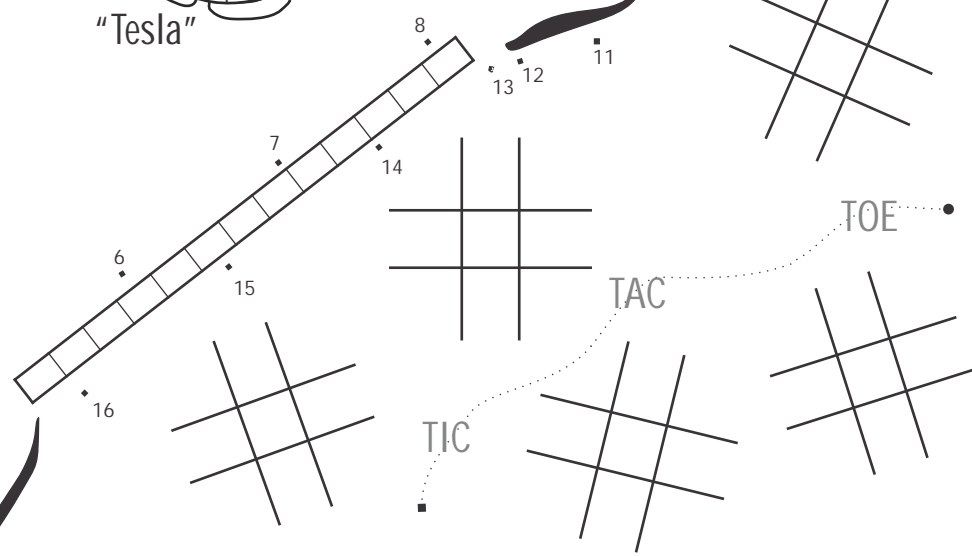


ROCKIN' WORD SEARCH!

Y	N	V	B	C	Q	M	X	Z	A	U	I	D	O	S	A	F	U
H	G	X	E	R	O	C	T	O	P	U	S	N	M	Q	Z	Y	O
S	D	D	N	Q	I	G	Q	V	N	U	Y	P	D	F	W	Z	B
E	T	J	O	C	T	B	E	V	Z	A	Q	R	Y	J	Z	E	B
A	G	Q	C	M	E	R	S	T	E	V	E	N	M	Y	L	X	A
T	C	M	Z	R	S	T	E	U	K	T	I	D	O	S	A	F	U
U	R	T	A	N	Q	L	G	Q	V	S	U	Y	P	D	S	T	Y
R	T	U	L	O	C	A	B	E	B	X	H	E	N	M	I	L	X
T	L	I	M	A	Z	S	L	E	V	Z	A	Q	R	A	V	W	O
L	E	S	E	O	C	H	N	E	L	A	H	W	N	A	V	W	O
N	Y	V	L	C	T	B	V	X	C	T	B	V	W	Q	K	R	K
O	Q	N	X	A	P	F	S	I	R	L	O	U	I	E	L	N	L
C	R	W	Y	J	H	J	W	Z	M	Q	Z	W	L	J	A	K	A
Z	O	H	Z	H	F	W	H	S	C	S	T	I	N	G	W	C	W
N	C	J	S	C	T	B	J	B	A	R	C	J	W	S	L	O	L
L	K	S	G	H	J	K	W	H	B	V	X	C	L	F	J	R	M

- LOBSTER
- SEA TURTLE
- OCTOPUS
- CRAB
- ROCK N ROLL
- SUSHI
- WHALE
- SLASH
- SIR LOUIE
- OZZY
- TESLA
- ROCK
- VAN WHALEN
- STYX
- DJ
- STING



Can you find ALL the words in the list?

Menu for ages 10 and under

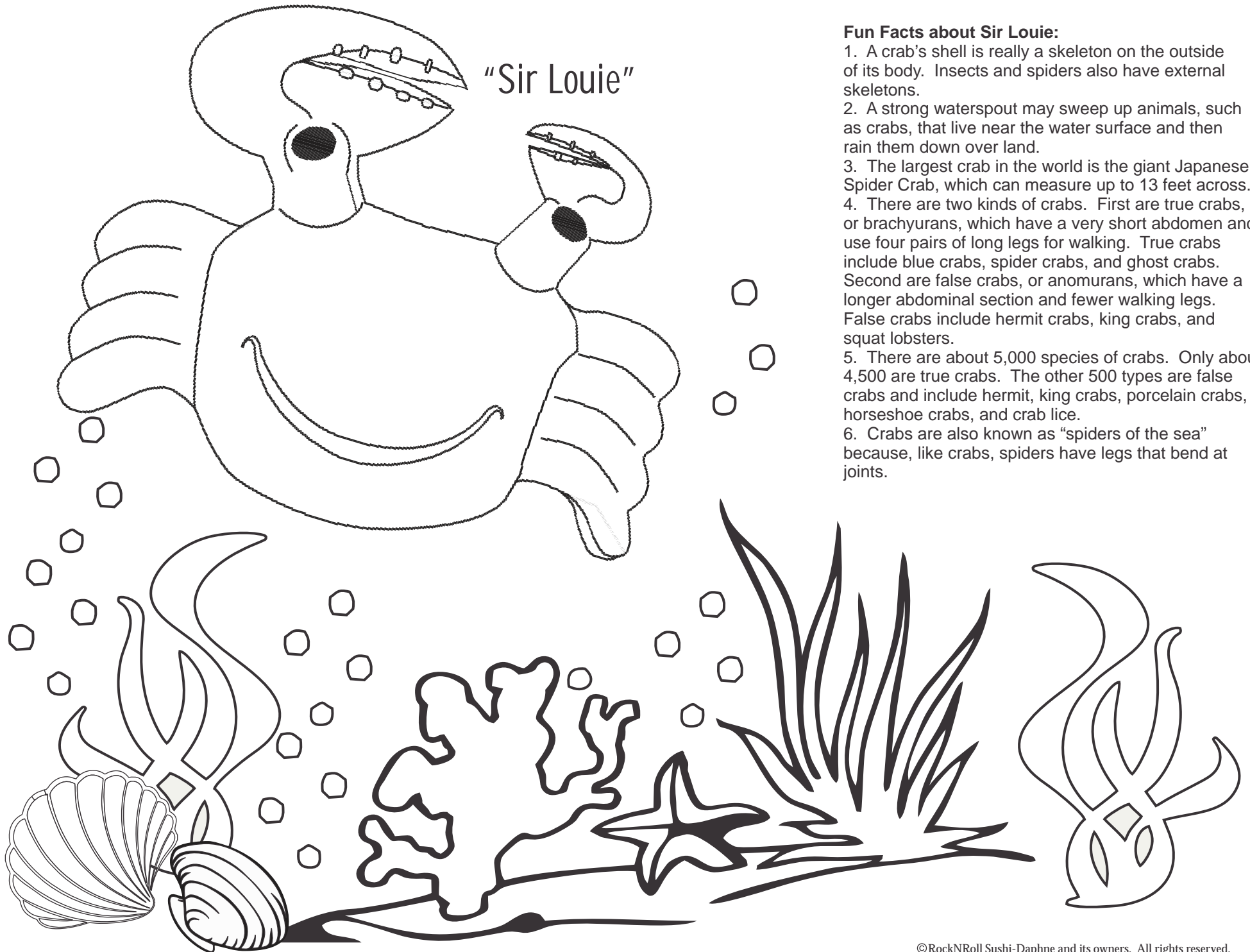


Kid's Tempura Shrimp and Fries	4.95
Kid's Chicken Nuggets and Fries	4.95
Grilled Cheese and Fries	4.95
Corn Dog and Fries	4.95
California Roll - 8 pieces	4.95
Beverage	1.50
Coke, Diet Coke, Sprite, Rootbeer, Dr. Pepper, Pink Lemonade	
Super Scoop of Ice Cream	1.50

*Consuming raw or uncooked meats, poultry, seafood, shellfish or eggs may increase your risk of Food-Borne illness, especially if you have certain medical conditions.

©RockNRoll Sushi-Daphne and its owners. All rights reserved.

"Sir Louie"



Fun Facts about Sir Louie:

1. A crab's shell is really a skeleton on the outside of its body. Insects and spiders also have external skeletons.
2. A strong waterspout may sweep up animals, such as crabs, that live near the water surface and then rain them down over land.
3. The largest crab in the world is the giant Japanese Spider Crab, which can measure up to 13 feet across.
4. There are two kinds of crabs. First are true crabs, or brachyurans, which have a very short abdomen and use four pairs of long legs for walking. True crabs include blue crabs, spider crabs, and ghost crabs. Second are false crabs, or anomurans, which have a longer abdominal section and fewer walking legs. False crabs include hermit crabs, king crabs, and squat lobsters.
5. There are about 5,000 species of crabs. Only about 4,500 are true crabs. The other 500 types are false crabs and include hermit, king crabs, porcelain crabs, horseshoe crabs, and crab lice.
6. Crabs are also known as "spiders of the sea" because, like crabs, spiders have legs that bend at joints.